

FOR OFFICIAL USE ONLY
 DESIGN DATA SHEET
 DEPARTMENT OF THE NAVY
 NAVAL SHIP ENGINEERING CENTER

1 May 1970
 DDS9280-2

DESIGNATION AND MARKING OF ELECTRIC SYSTEM

TABLE OF CONTENTS

Paragraphs	Page
9280-2-a Scope	1
9280-2-b General	1
9280-2-c List of examples	1
<u>9280-2-a. Scope</u>	

This Design Data Sheet gives examples of designation and numbering of electric systems on various types of ships and acceptable methods of attaching tags to cables.

9280-2-b. General

The examples given are based on portion of typical ship systems and cannot be used without development for specific applications. Every new design system will differ in some detail. It is the intent of the examples given to anticipate as many such areas as possible, however, in case of questions involving apparent departure from the specified principles, approval of the Supervisor shall be obtained.

9280-2-c. List of examples

Figure 1 - Typical designation of power and lighting system on a surface ship

Figure 2 - Designation Scheme for Degaussing Coil Cables, Feeders, and Connection Boxes

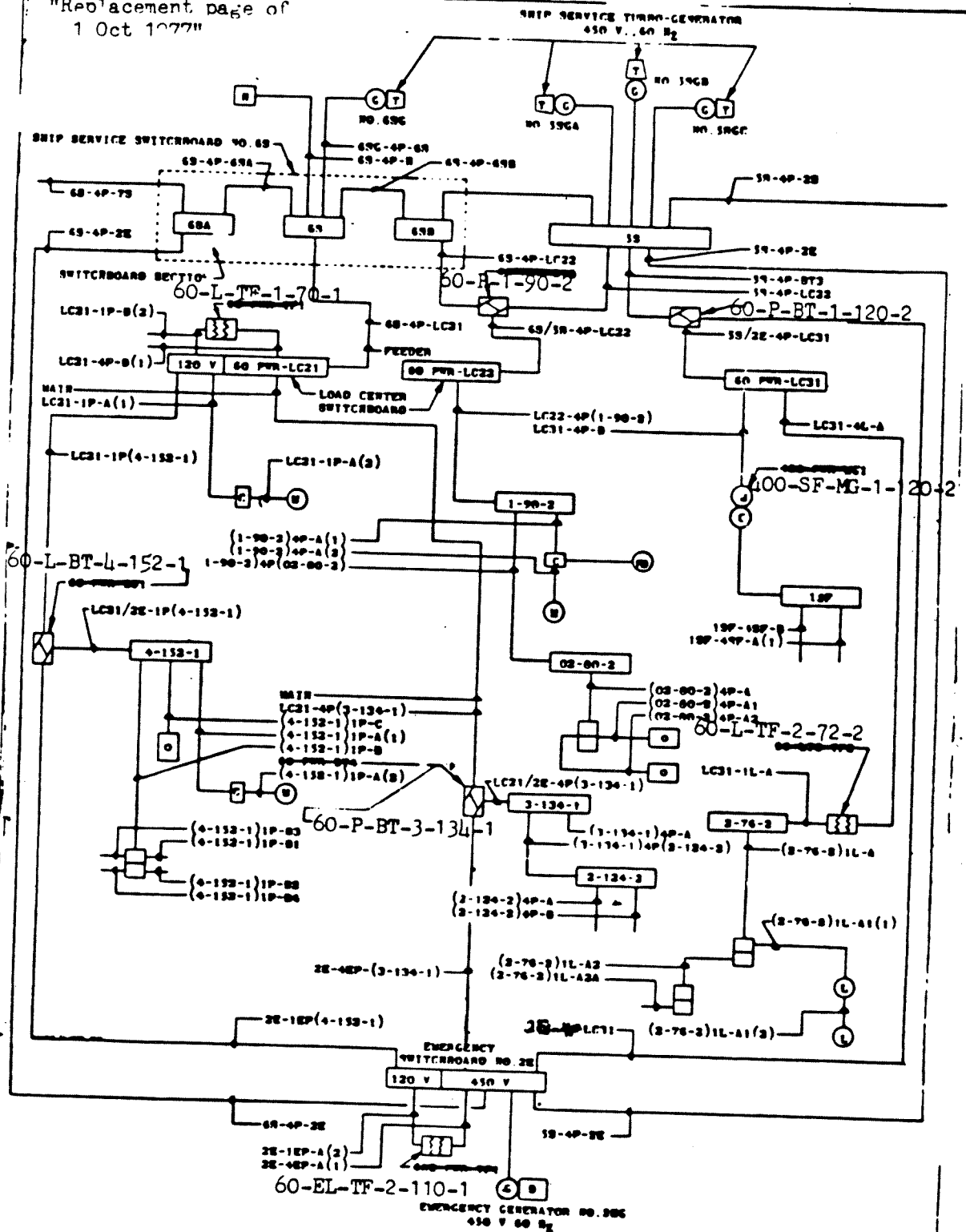
Figure 3 - Typical Single Loop Connection Box D5 Connection Box (M Coil) Starboard Side Looking to Starboard

Figure 4 - Standard Color Code

Figure 5 - Typical Identification Plates and Red Markers

Figure 6 - Typical Cable Tags

"Replacement page of
1 Oct 1977"



TYPICAL DESIGNATION OF A POWER AND
LIGHTING SYSTEM ON A SURFACE SHIP

FIGURE 1

DDS 9280-2

1 MAY 1970

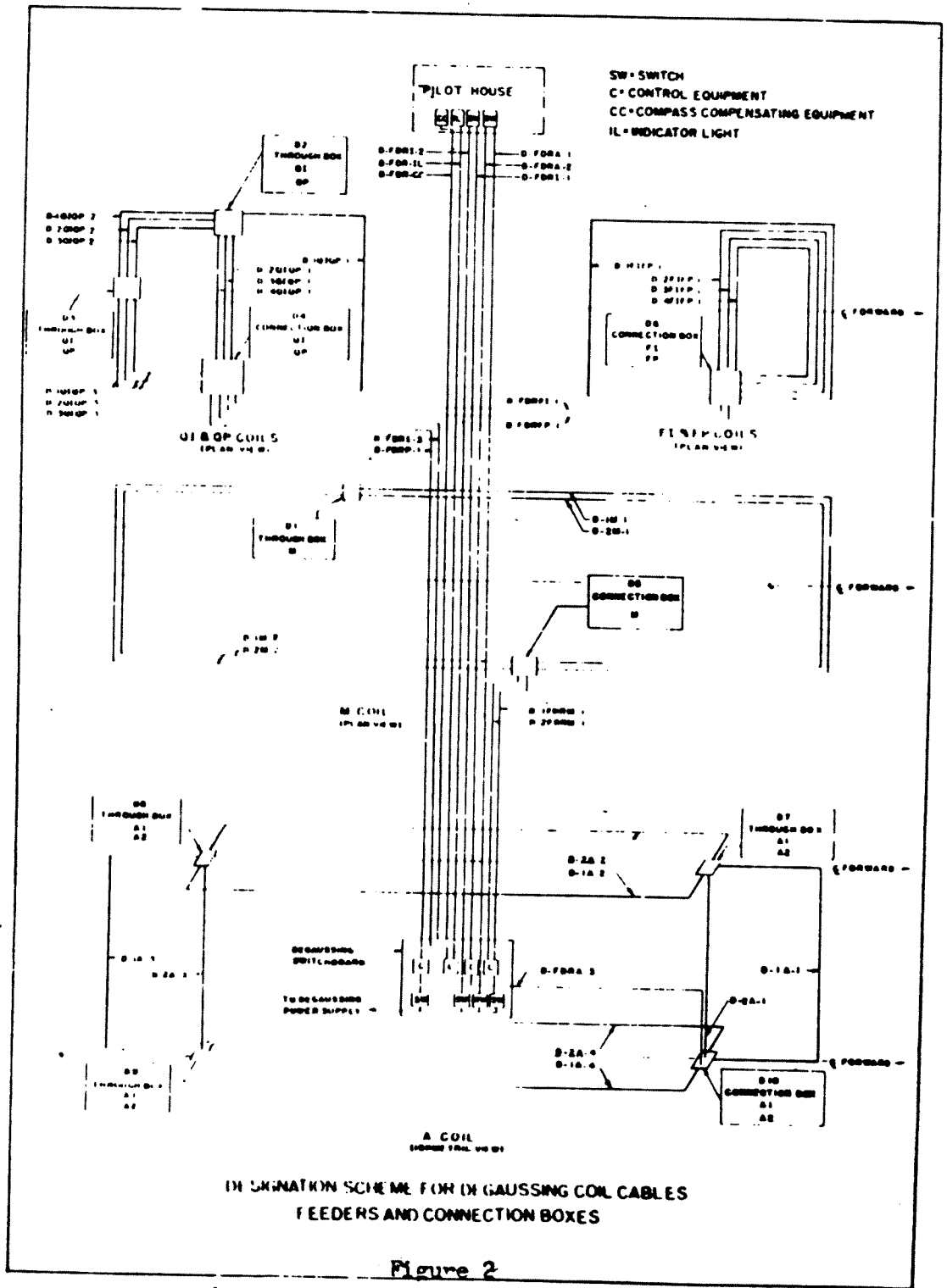
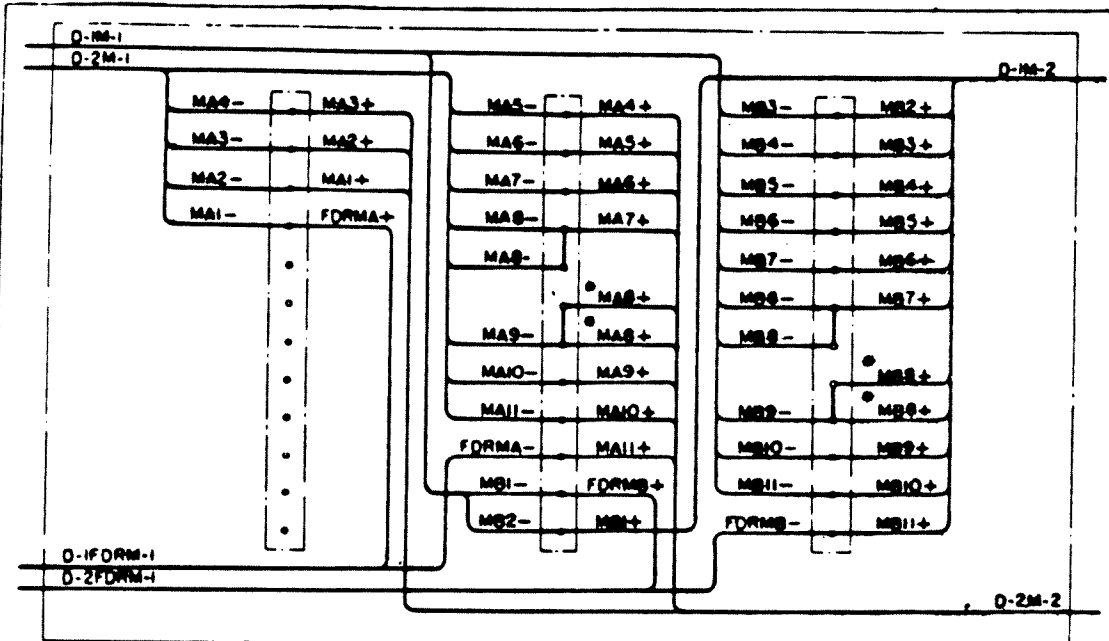


Figure 2

[Handwritten signature]

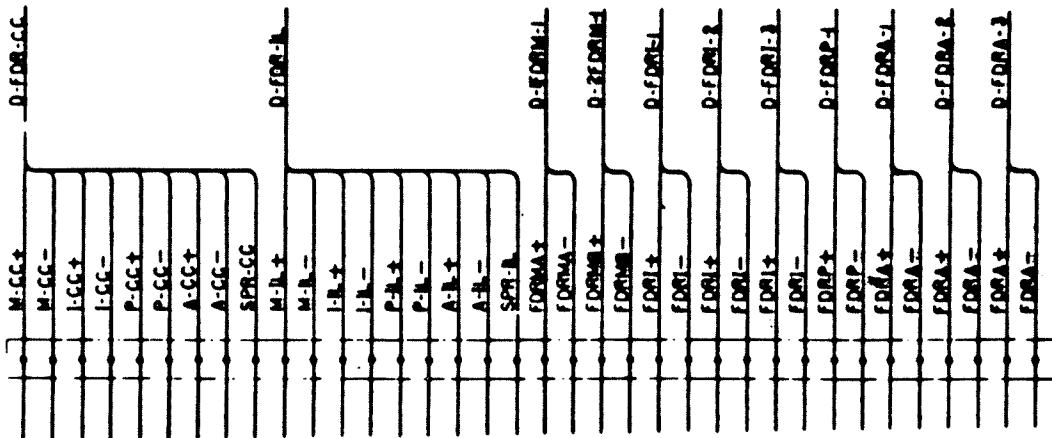
1 MAY 1970



• TWO OR MORE CONDUCTORS PARALLELED TOGETHER WITHIN A PARTICULAR SERIES OR PARALLEL CIRCUIT RECEIVE THE SAME CONDUCTOR DESIGNATION AS AN EQUIVALENT SINGLE CONDUCTOR WOULD RECEIVE.

12 CONDUCTOR CABLE USED FOR M COIL.

TYPICAL DEGAUSSING SWITCHBOARD CONNECTION STRIP

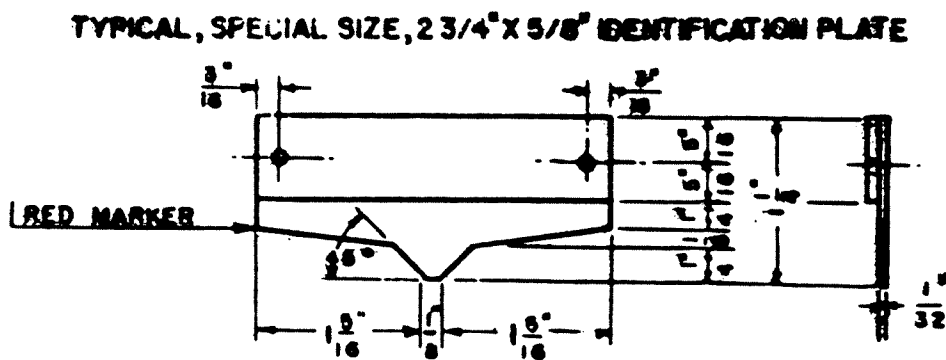
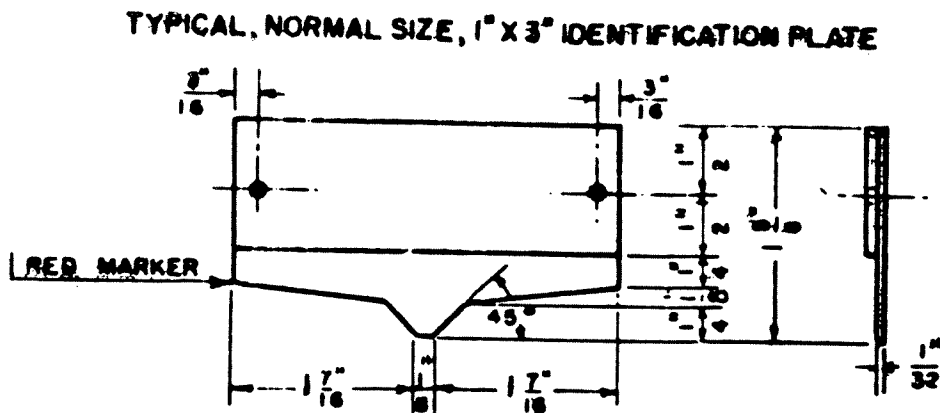


TYPICAL SINGLE LOOP CONNECTION BOX

D5 CONNECTION BOX (M COIL) STARBOARD SIDE LOOKING TO STARBOARD

Figure 3

1 MAY 1970



TYPICAL IDENTIFICATION PLATES
AND
RED MARKERS

FIGURE 5

"Replacement page of
1 Oct 1977"

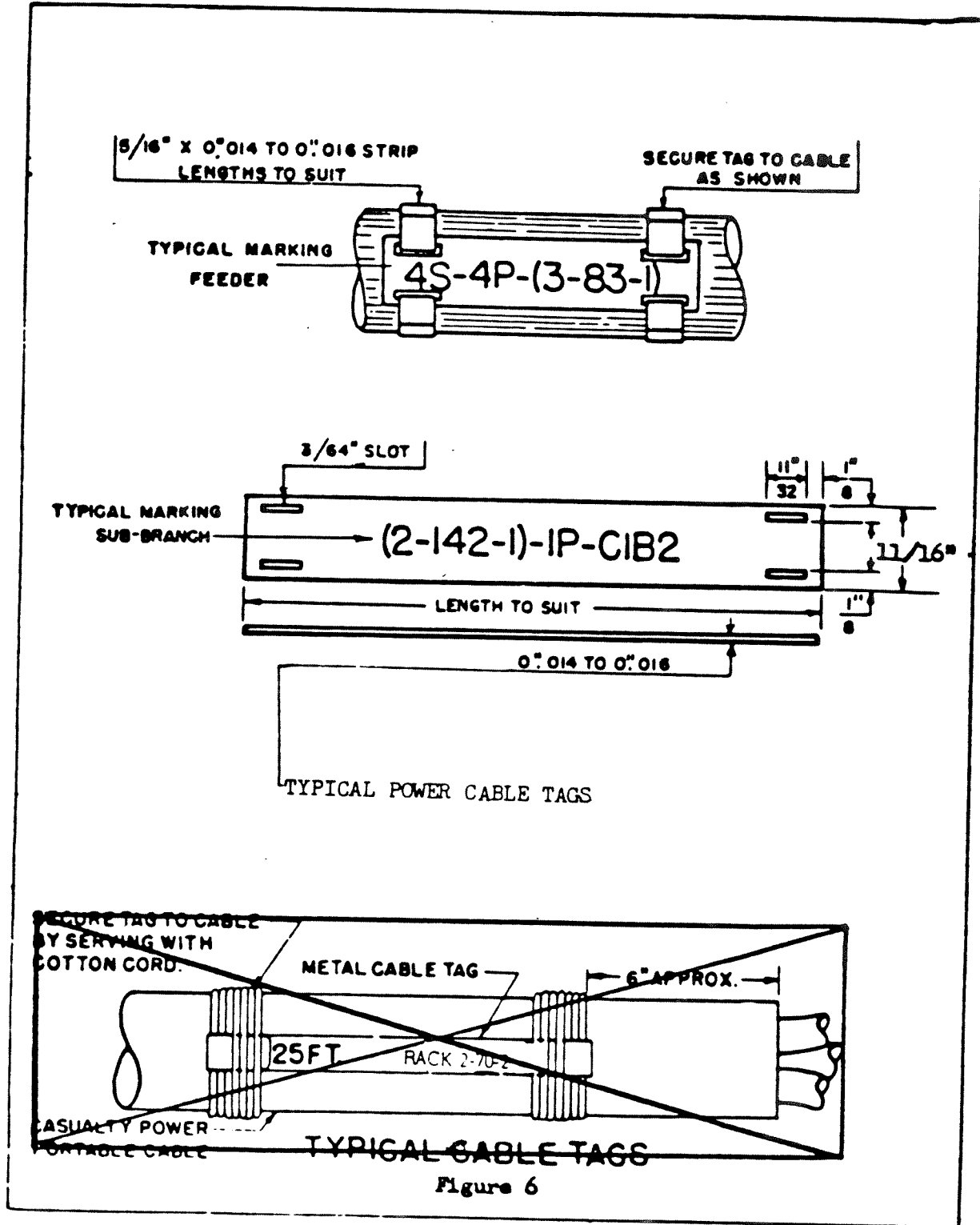


Figure 6